



www.pro-cnc.com.pl

PRODUCTION
SPECIALIZED
MACHINES

ul. Głudna 37, 05-620 Błędów

+(48) 538 358 588

biuro@pro-cnc.com.pl



PRO-SHAKER

FRUIT TREE SHAKER

Harvester with automatically extending tarpaulins.

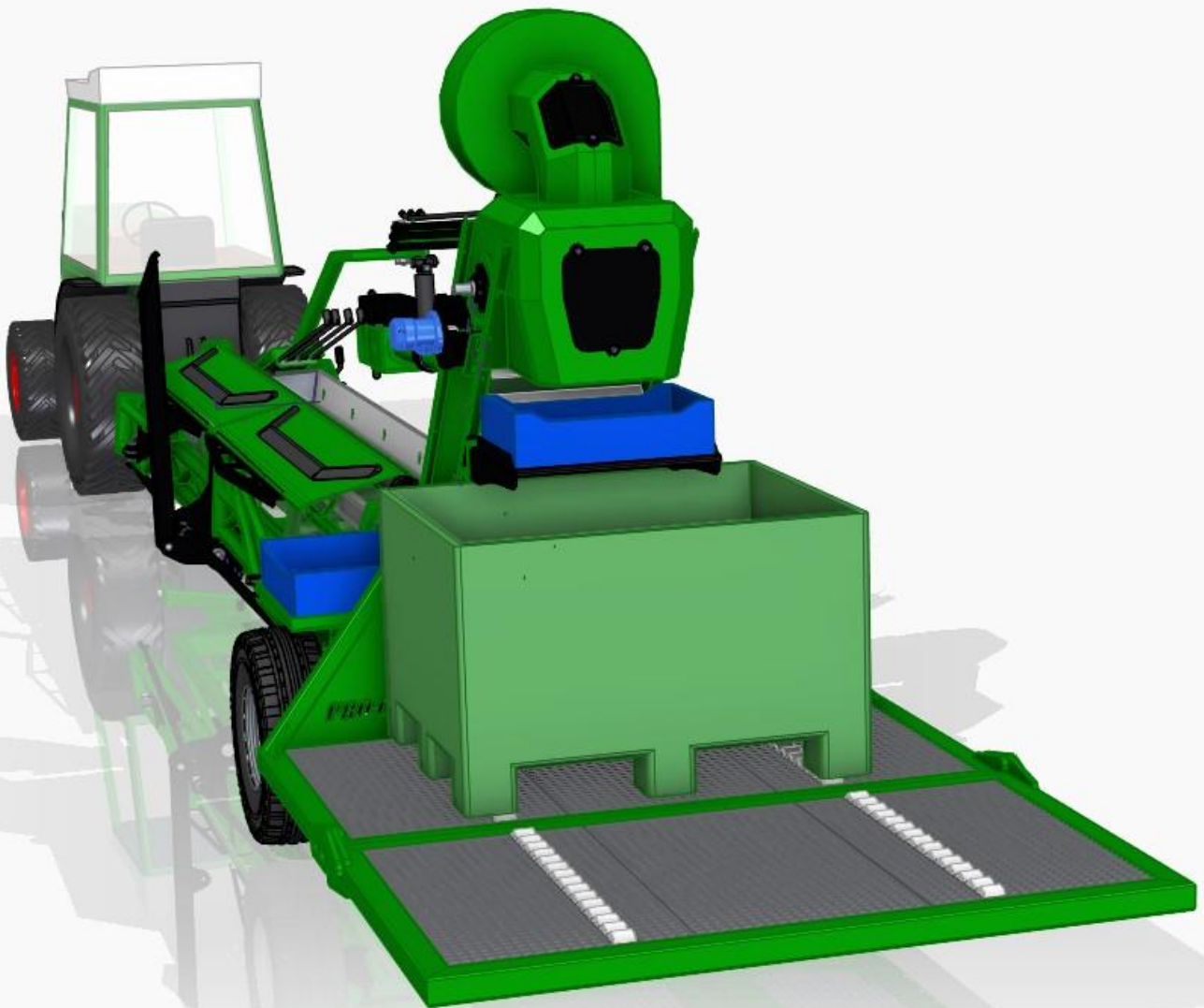
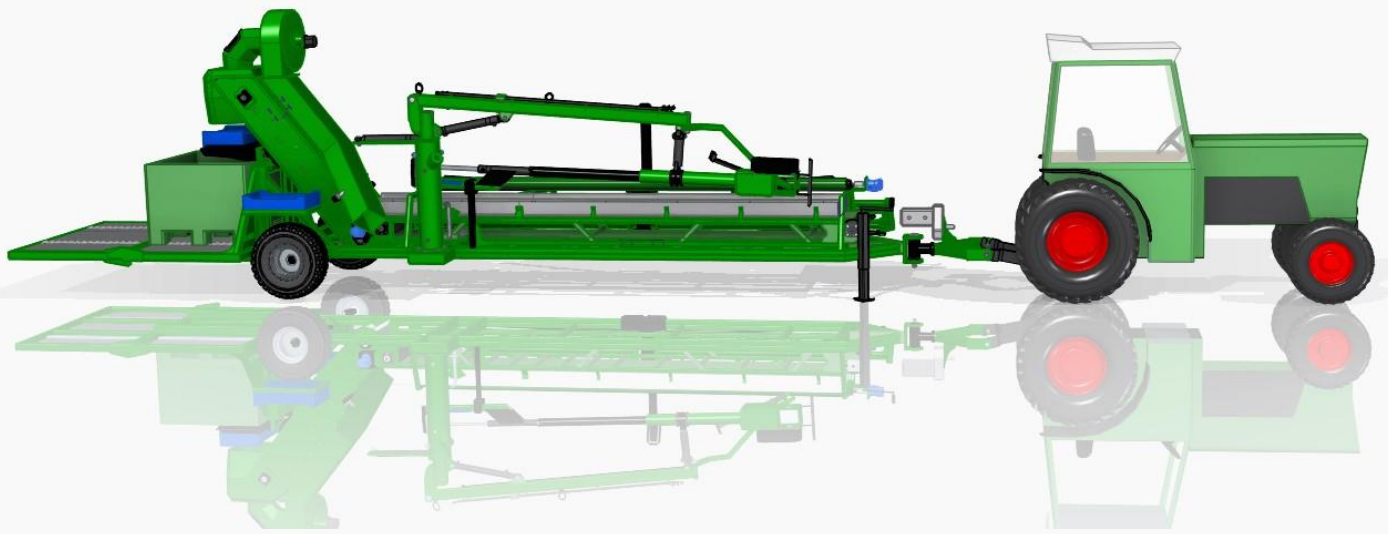
Cherries and plums harvester. The device is controlled from the tractor's hydraulics or joystick.

The machine can be powered directly from the tractor or from the aggregate mounted on the machine, driven by the PTO.

MAIN ADVANTAGES OF WORKING WITH PRO-ONE

- reduction of costs and working time
- speed of the procedure in the orchard
- easier harvesting from the fruit-bearing wall
- improvement of fruit quality

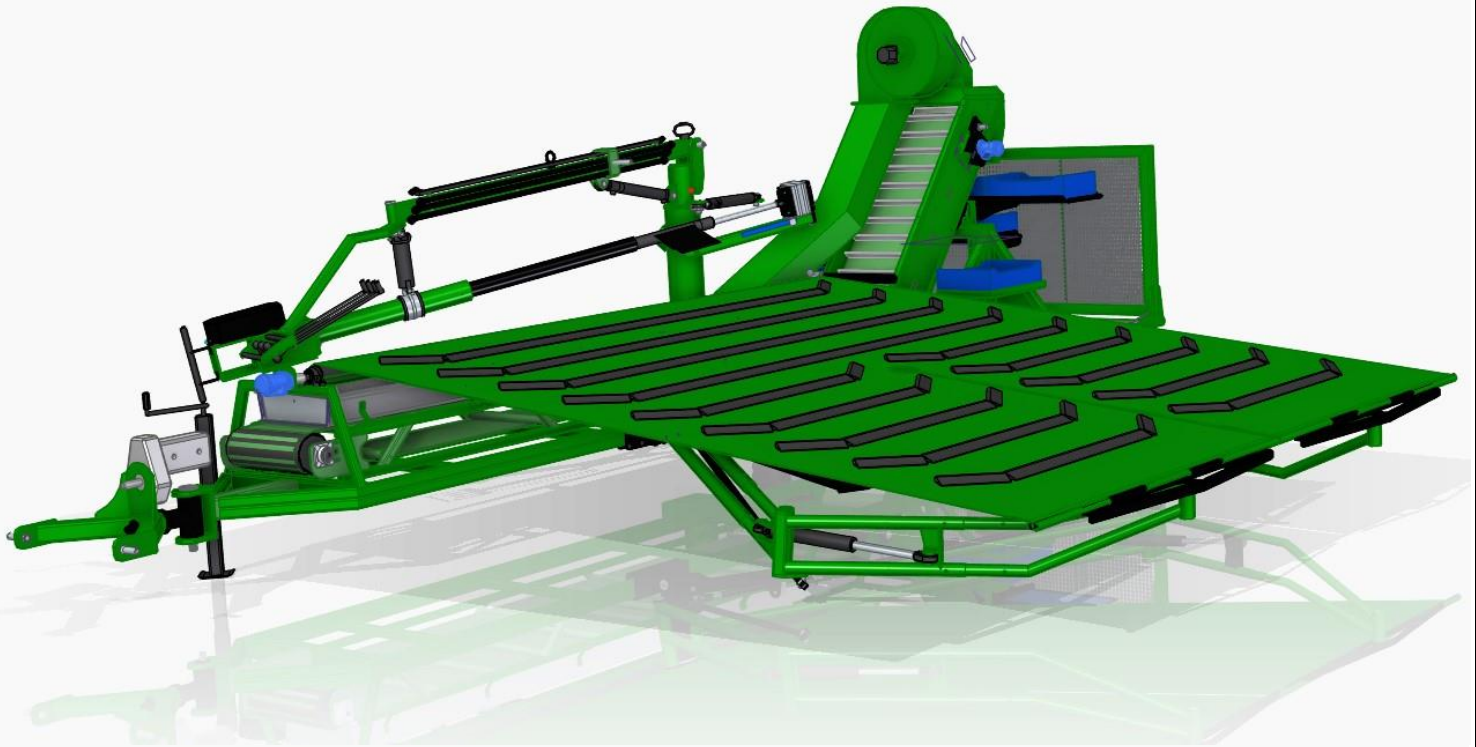
PRO-SHAKER WITH AUTOMATICALLY EXTENDING TARPAULINS



PRO-SHAKER WITH AUTOMATICALLY EXTENDING TARPAULINS



PRO-SHAKER WITH AUTOMATICALLY EXTENDING TARPAULINS



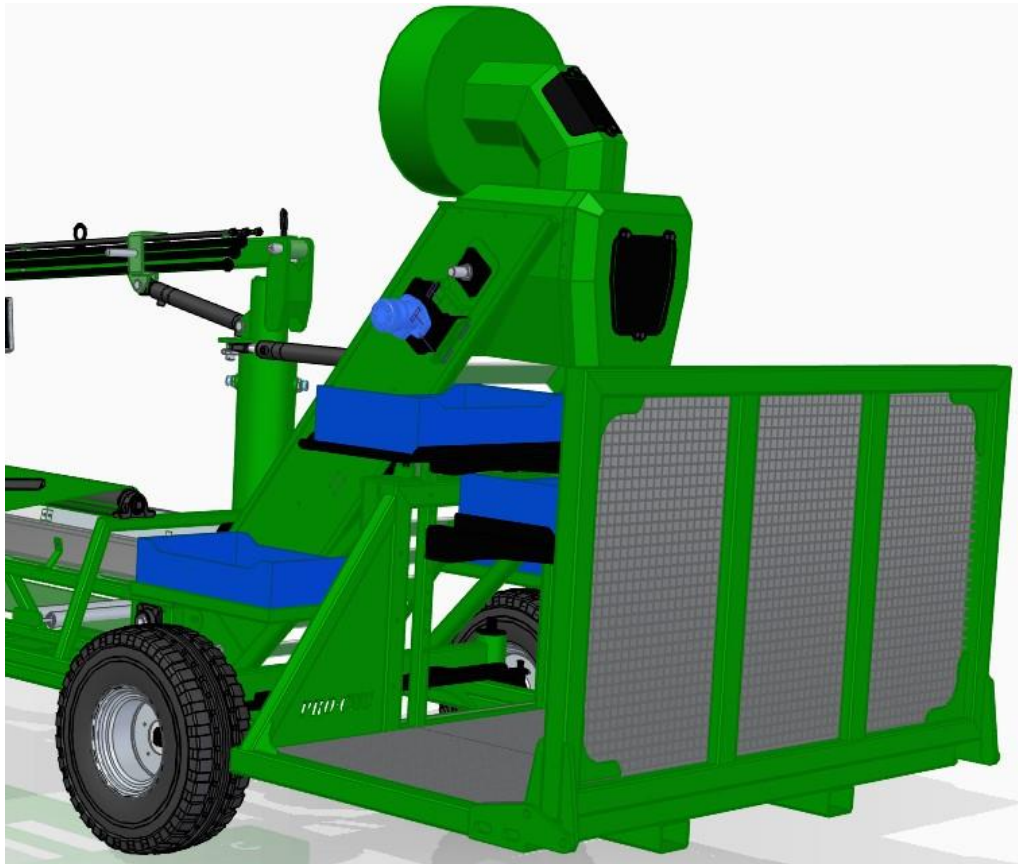
PRO-SHAKER WITH AUTOMATICALLY EXTENDING TARPAULINS



PRO-SHAKER WITH AUTOMATICALLY EXTENDING TARPAULINS



PRO-SHAKER WITH AUTOMATICALLY EXTENDING TARPAULINS



PRO-SHAKER WITH AUTOMATICALLY EXTENDING TARPAULINS



PRO-SHAKER WITH AUTOMATICALLY EXTENDING TARPAULINS DIMENSIONS

